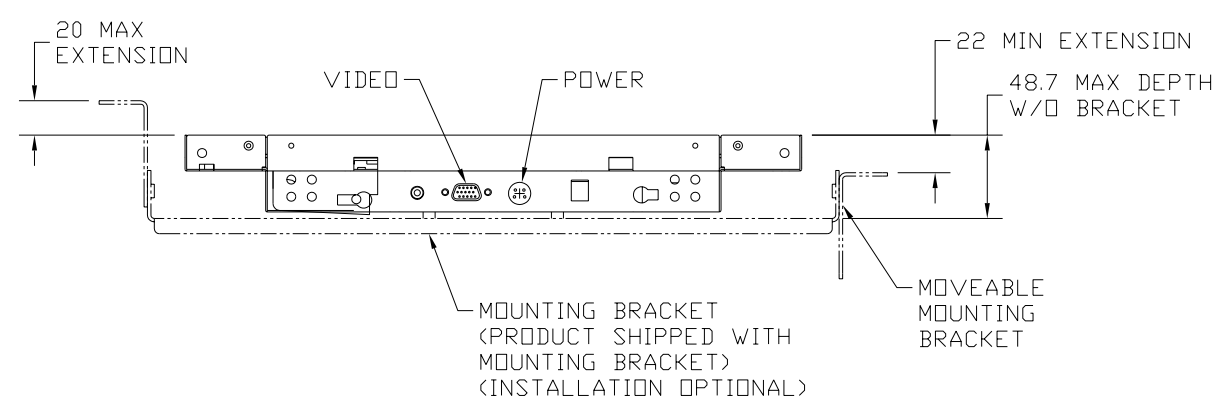
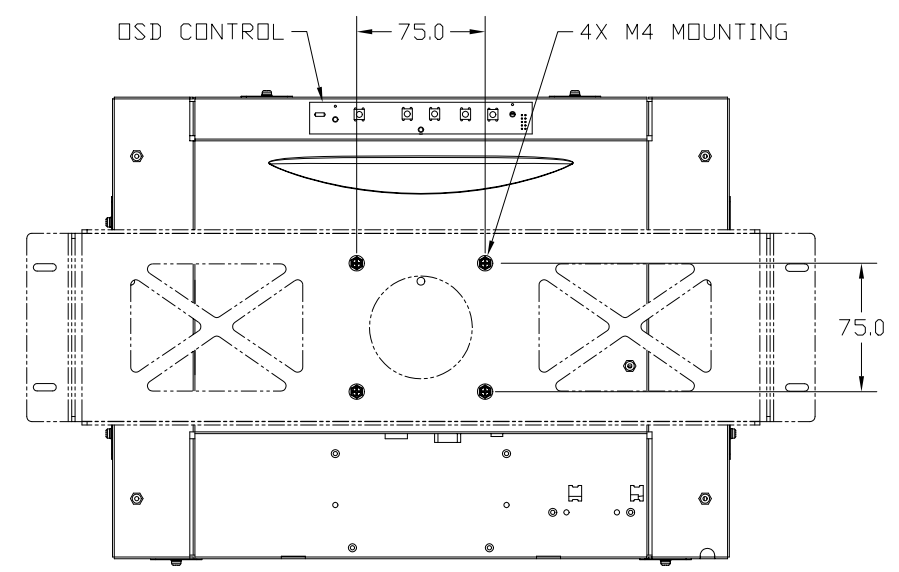
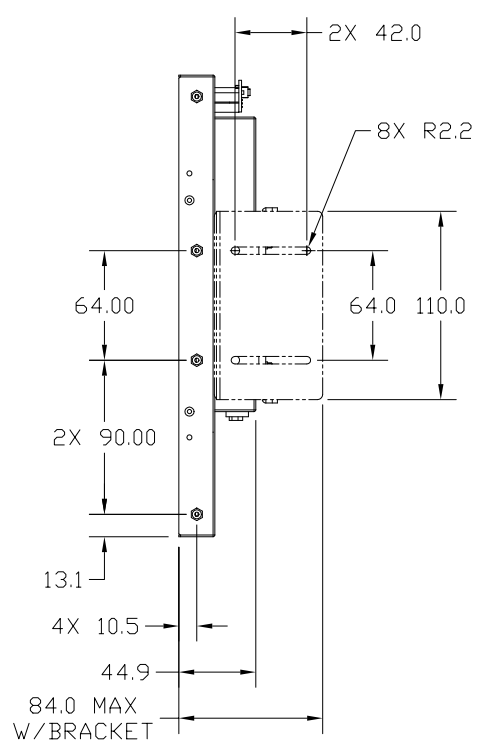
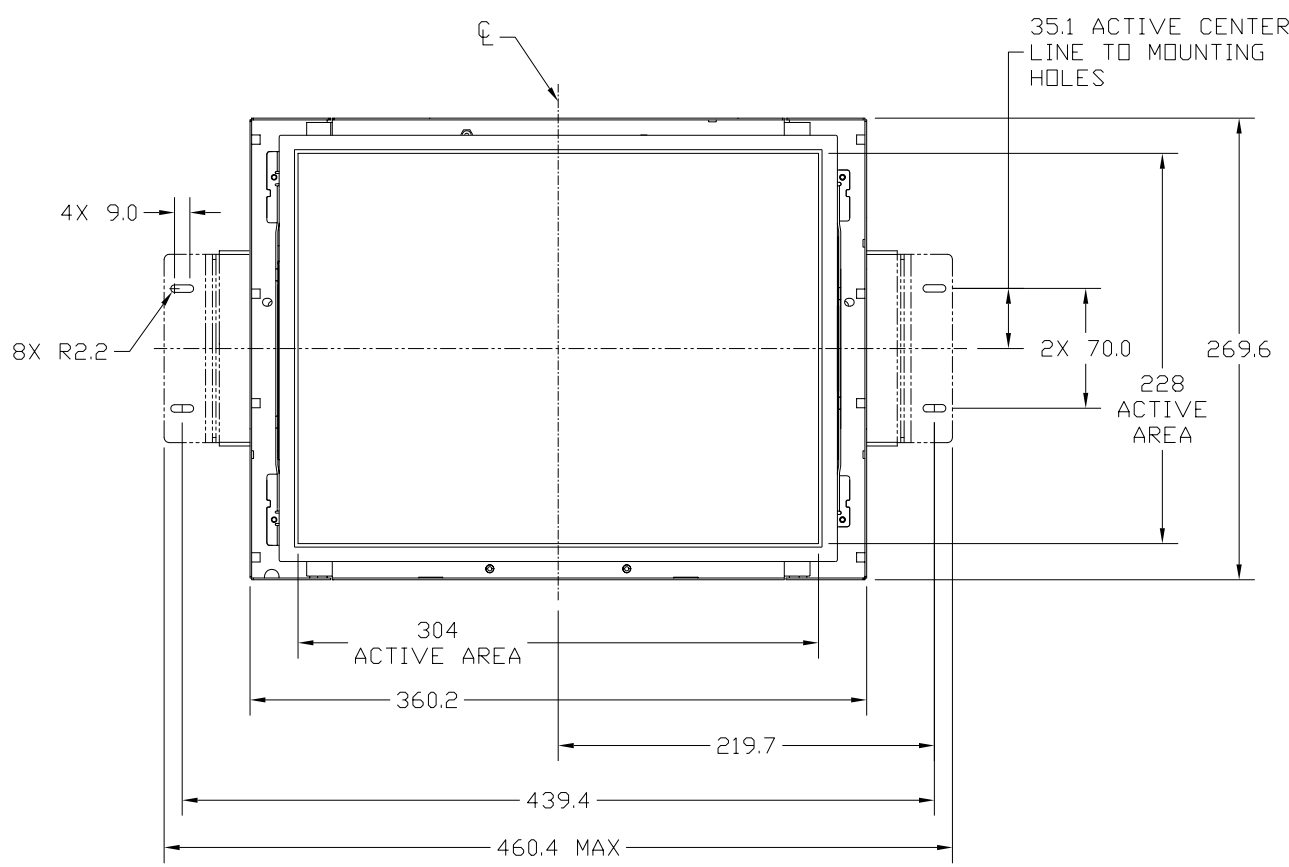


REVISIONS					
REV	REF	DESCRIPTION	DATE	REV BY	CHK BY
A	-	INITIAL RELEASE	06/22/04	RD	

NOTES:
 1. IGES FILE AVAILABLE UPON REQUEST.



UNLESS OTHERWISE SPECIFIED DIMENSIONS ARE IN MILLIMETERS.		ENGR BY	S.VAHLING	06/14/04
TOLERANCES:		DRAWN BY	R.DAVENTPORT	06/14/04
X = ±1	.XX = ±.13	CHECKED BY	-	-
.X = ±.5	ANGLES = ±1°	USED ON	997-2806-00 (LA1500R)	
DIMENSIONING AND TOLERANCING PER ASME Y14.5M-1994		MATERIAL	NA	
THIRD ANGLE PROJECTION		FINISH	NA	

		PLANAR SYSTEMS 1195 NW COMPTON DRIVE BEAVERTON, OR 97006 USA	
TITLE			
MECH O/L LA1500R			
SIZE	PART NO.	DRAWING NO.	REV
C	076-0590-00	076-0590-00	A
SCALE	NONE	DO NOT SCALE	SHEET 1 OF 1