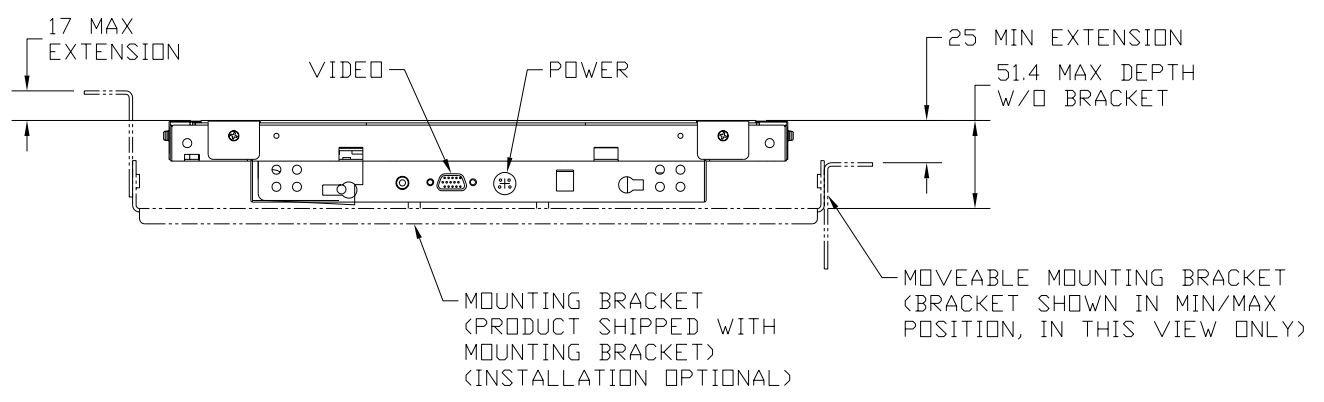
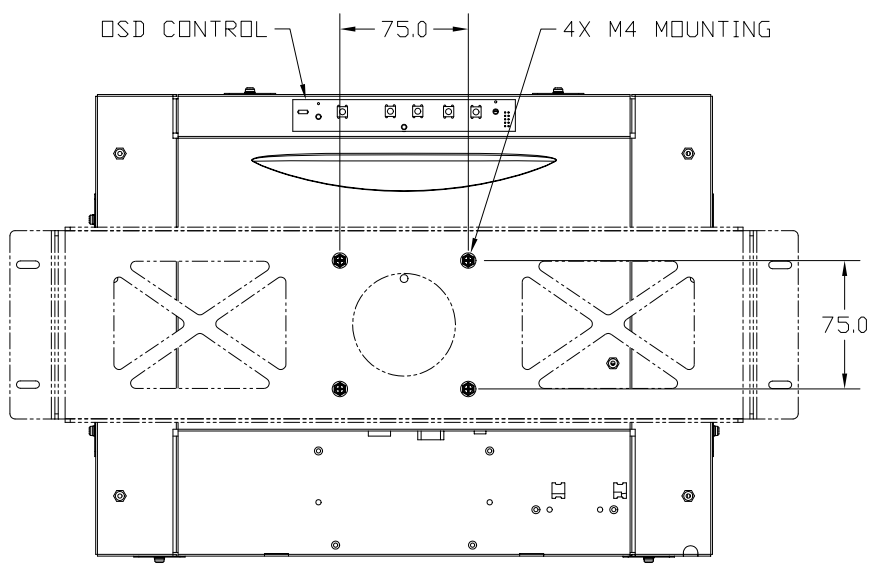
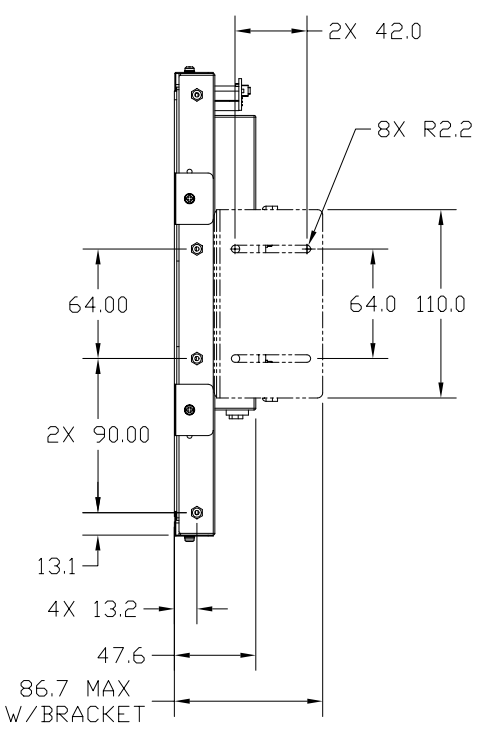
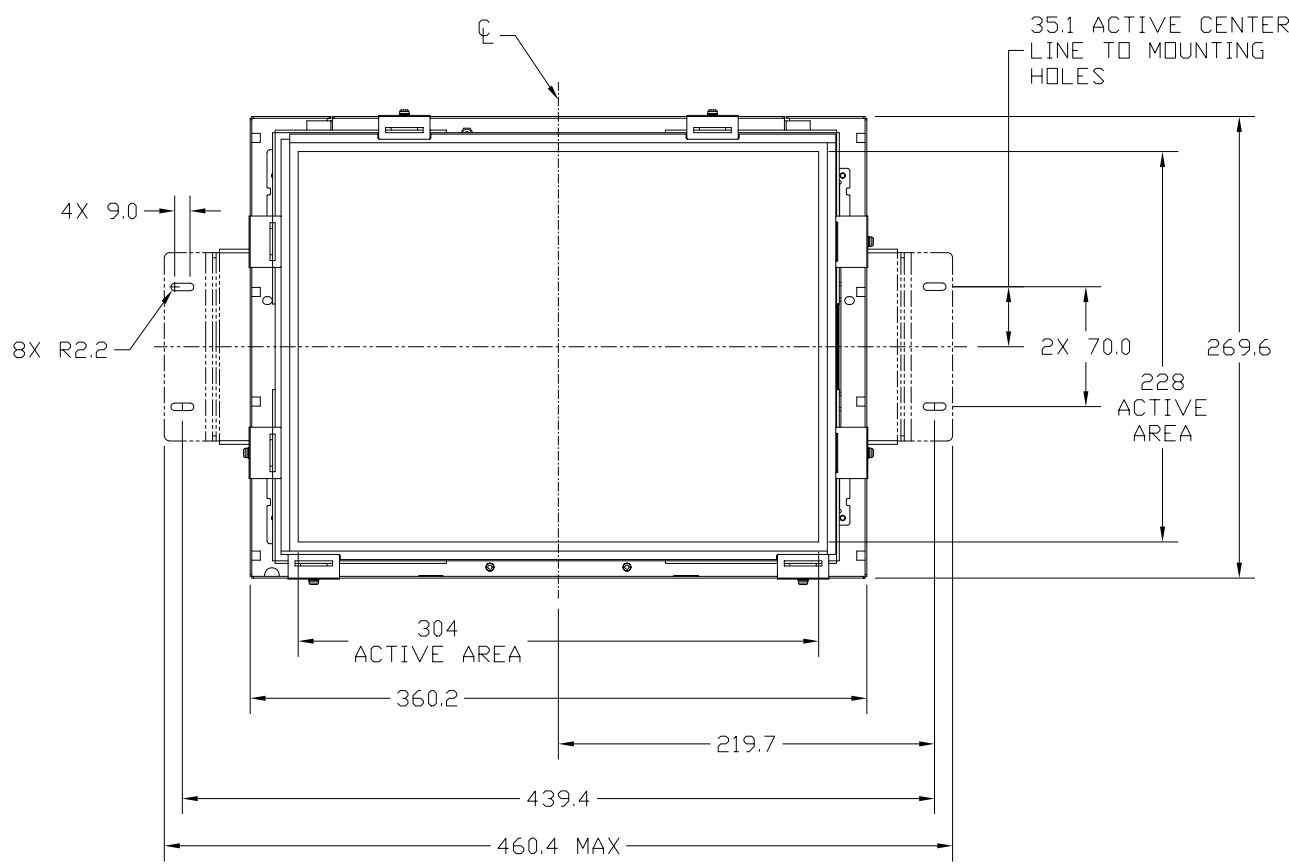


REVISIONS					
REV	REF	DESCRIPTION	DATE	REV BY	CHK BY
B	ECO-1947	UPDATE MOUNTING BRACKET DIMENSIONS	06/22/04	RD	

NOTES:
 1. IGES FILE AVAILABLE UPON REQUEST.



UNLESS OTHERWISE SPECIFIED DIMENSIONS ARE IN MILLIMETERS.		ENGR BY	S.VAHLING	02/16/04	 PLANAR SYSTEMS 1195 NW COMPTON DRIVE BEAVERTON, OR 97006 USA
TOLERANCES:		DRAWN BY	R.DAVENTPORT	02/16/04	
X = ±1	.XX = ±.13	CHECKED BY	-	-	TITLE
.X = ±.5	ANGLES = ±1°	USED ON	LA1500R-TR		MECH O/L LA1500R-TR
DIMENSIONING AND TOLERANCING PER ASME Y14.5M-1994		MATERIAL	NA		SIZE
THIRD ANGLE PROJECTION		FINISH	NA		PART NO.
					DRAWING NO.
					076-0584-00
					REV
					B
		SCALE	NONE	DO NOT SCALE	SHEET
					1 OF 1