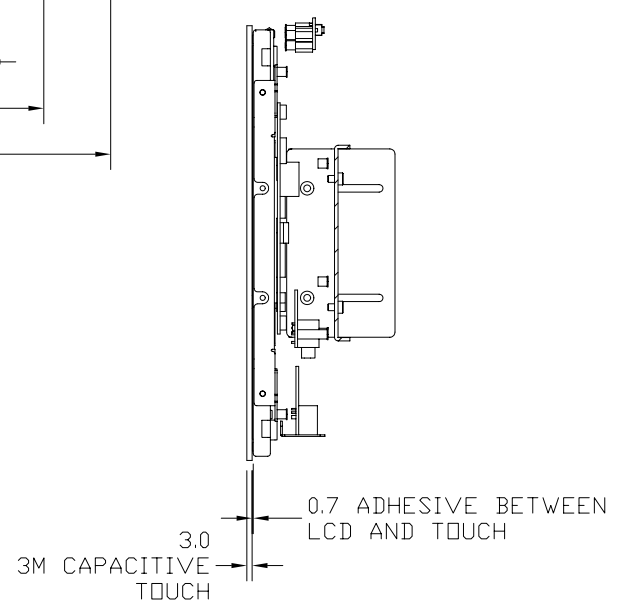
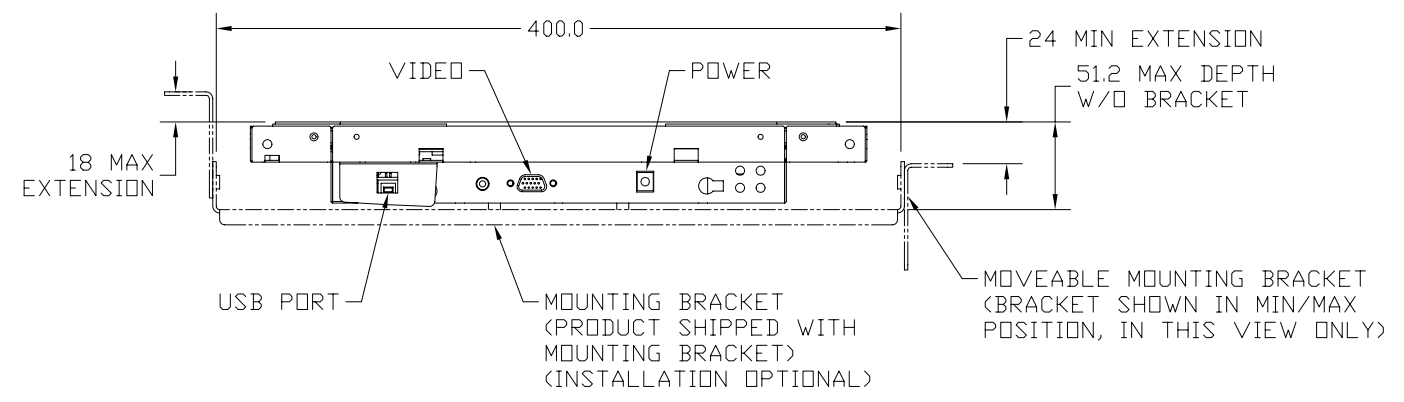
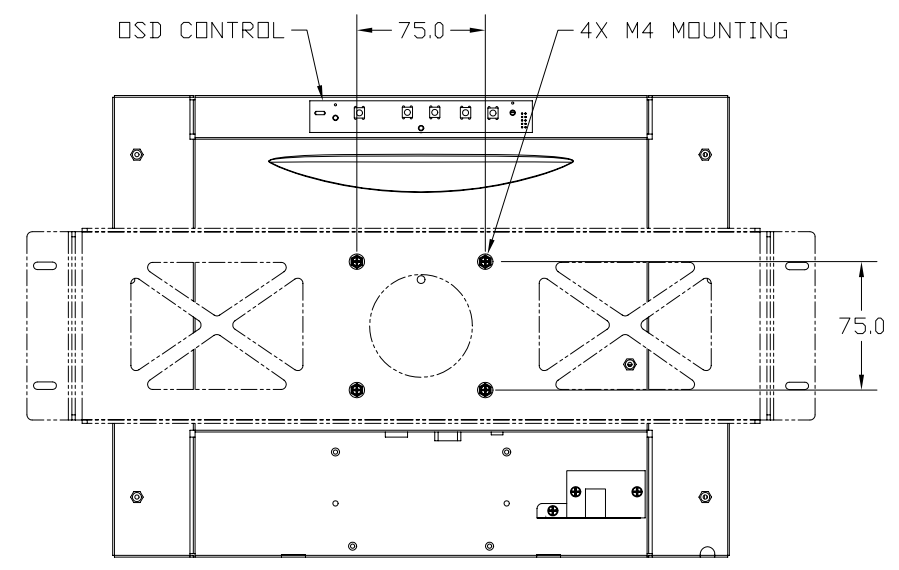
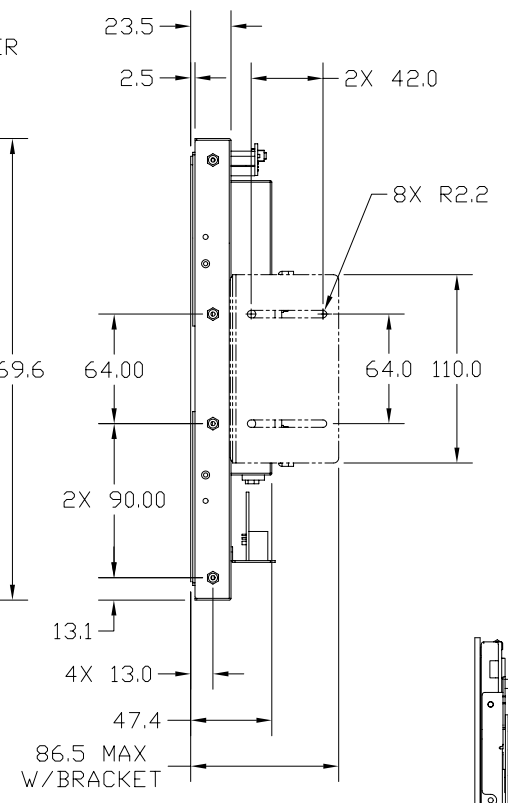
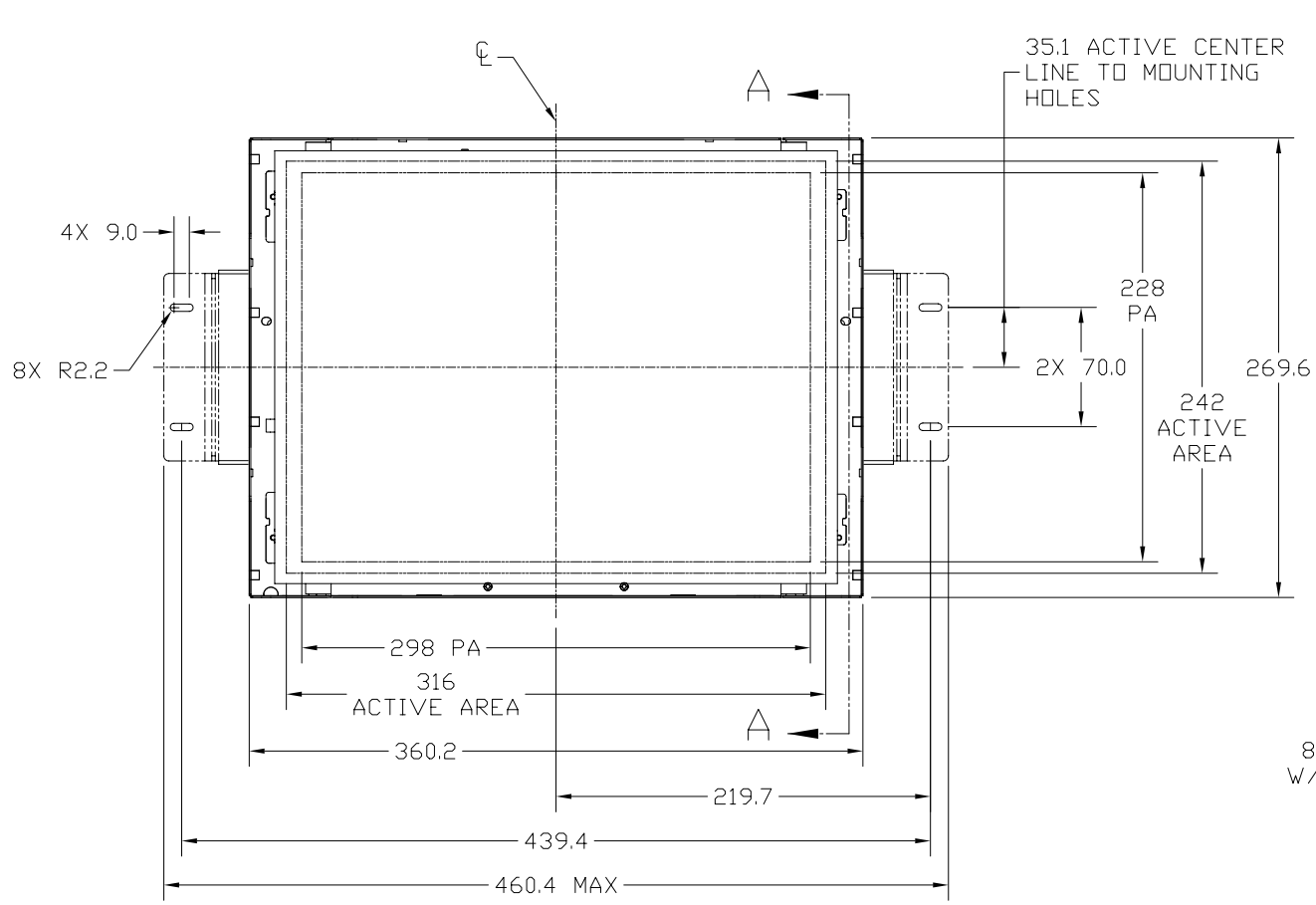


REVISIONS					
REV	REF	DESCRIPTION	DATE	REV BY	CHK BY

NOTES:



UNLESS OTHERWISE SPECIFIED DIMENSIONS ARE IN MILLIMETERS.		ENGR BY	
TOLERANCES:		DRAWN BY	R.DAVENTPORT
X = ±1	.XX = ±.13	CHECKED BY	-
.X = ±.5	ANGLES = ±1°	USED ON	LA1500RTC
DIMENSIONING AND TOLERANCING PER ASME Y14.5M-1994		MATERIAL	NA
THIRD ANGLE PROJECTION		FINISH	NA

		PLANAR SYSTEMS 1195 NW COMPTON DRIVE BEAVERTON, OR 97006 USA	
TITLE			
MECH O/L LA1500RTC			
SIZE	PART NO.	DRAWING NO.	REV
C	997-2930-00	076-0598-00	A
SCALE	NONE	DO NOT SCALE	SHEET 1 OF 1

THIS DRAWING CONTAINS INFORMATION PROPRIETARY TO PLANAR SYSTEMS, INC.. ANY REPRODUCTION IN PART OR WHOLE WITHOUT THE WRITTEN PERMISSION OF PLANAR SYSTEMS IS PROHIBITED. THIS DRAWING IS SUPPLIED FOR INFORMATION, IDENTIFICATION, ENGINEERING, EVALUATION, AND/OR INSPECTION PURPOSES ONLY AND MAY NOT BE USED AS BASIS FOR THE MANUFACTURING OF PRODUCTS OR THE FURNISHING OF SERVICES TO PLANAR SYSTEMS OR TO ANY THIRD PARTY UNLESS AUTHORIZED IN WRITING BY PLANAR SYSTEMS.