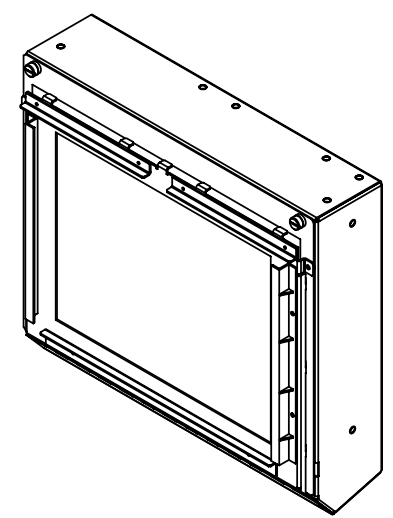
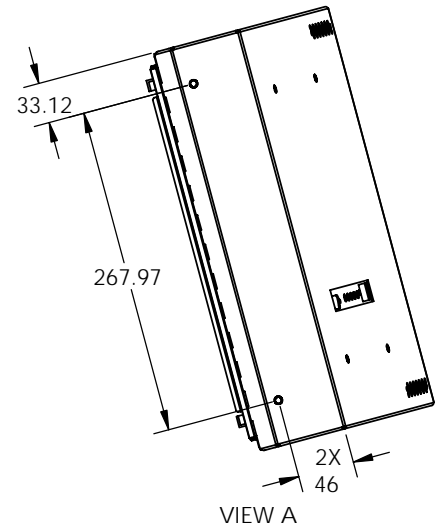
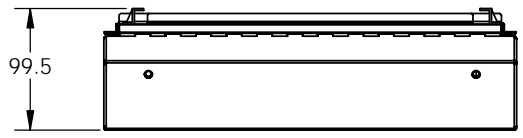
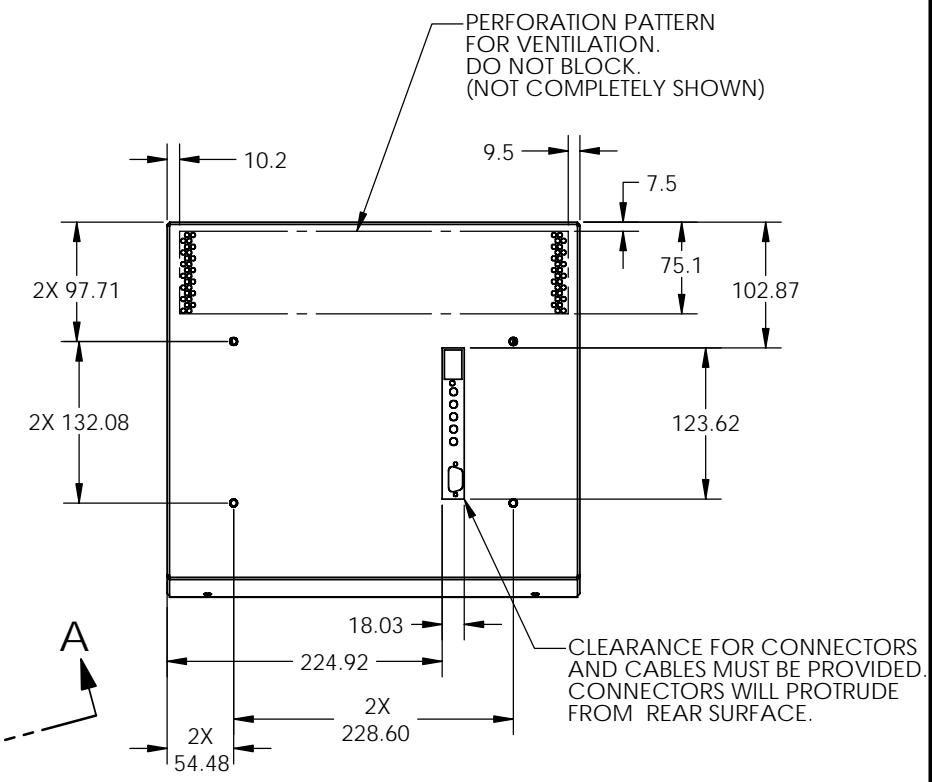
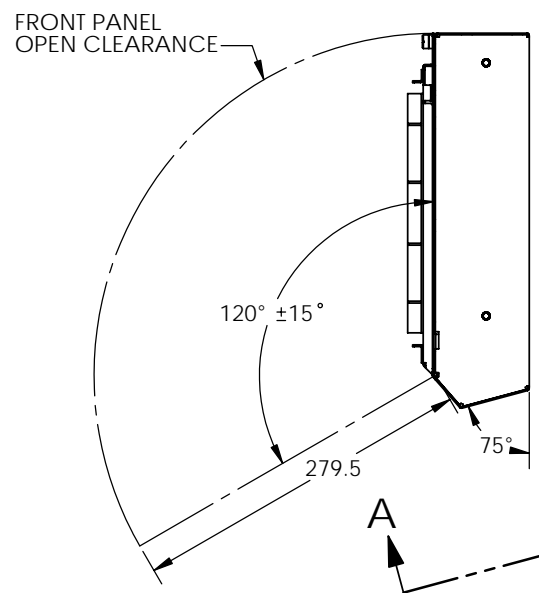
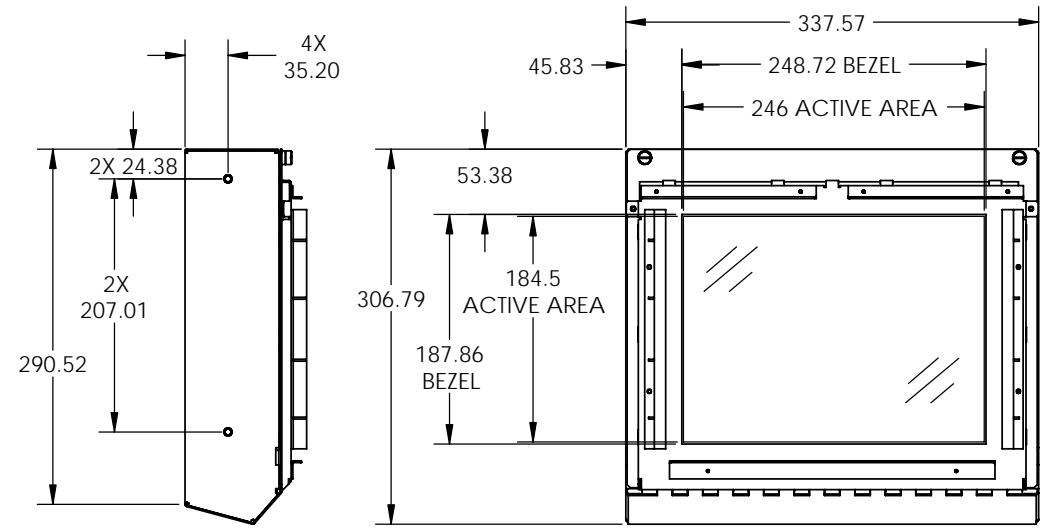
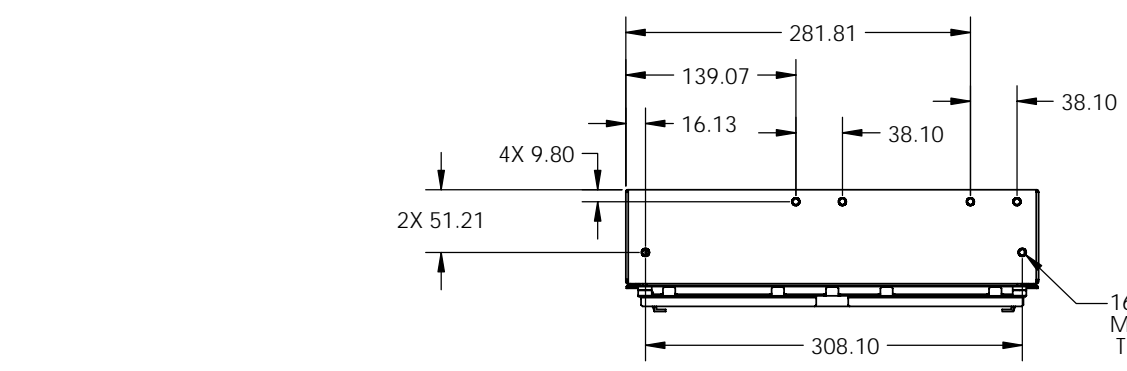


REVISIONS				
ZONE	REV.	DESCRIPTION	DATE	APPROVED
B	ECO-2015	UPDATE TITLEBLOCK	08/27/04	RD



- NOTES:
1. DRAWING TO BE USED FOR REFERENCE.
 2. CONNECTORS WILL PROTRUDE FROM REAR SURFACE (NOT SHOWN).

THIS DRAWING CONTAINS INFORMATION PROPRIETARY TO PLANAR SYSTEMS, INC.. ANY REPRODUCTION IN PART OR WHOLE WITHOUT THE WRITTEN PERMISSION OF PLANAR SYSTEMS IS PROHIBITED. THIS DRAWING IS SUPPLIED FOR INFORMATION, IDENTIFICATION, ENGINEERING, EVALUATION, AND/OR INSPECTION PURPOSES ONLY AND MAY NOT BE USED AS BASIS FOR THE MANUFACTURING OF PRODUCTS OR THE FURNISHING OF SERVICES TO PLANAR SYSTEMS OR TO ANY THIRD PARTY UNLESS AUTHORIZED IN WRITING BY PLANAR SYSTEMS.

UNLESS OTHERWISE SPECIFIED DIMENSIONS ARE IN MILLIMETERS.		ENGR BY	B. SANDMEYER	6/13/03
TOLERANCES:		DRAWN BY	B. SANDMEYER	6/13/03
X = ±2	.XX = ±.50	CHECKED BY	-	-
.X = ±1.0	ANGLES = ±1°	USED ON	12.1 LCD	
DIMENSIONING AND TOLERANCING PER ASME Y14.5M-1994		MATERIAL	-	
THIRD ANGLE PROJECTION		FINISH	-	
		PLANAR SYSTEMS, INC. 1195 NW COMPTON DRIVE BEAVERTON, OR 97006 USA		
TITLE: DWG-PROD ASM, 12.1 LCD				
SIZE	PART NUMBER	DRAWING NO.	REV	
C	074-0666-00	074-0666-00	B	
SCALE	1:4	DO NOT SCALE	SHEET 1 OF 1	