

Installation Manual



- To ensure safety, please read this manual carefully before installation and follow the instructions herein. Store this manual in a secure place for future reference.
- The manufacturer shall not be legally responsible for any equipment damage or personnel injury caused by incorrect installation or operation other than that covered in this manual.
- The subject product is designed for easy installation and removal. The manufacturer shall not be liable for damage to equipment or personnel injuries arising out of human factors or acts of God, such as earthquake or typhoon.
- It is recommended that the subject product be installed by qualified personnel only.
- At least two persons are needed to install or remove the product to avoid hazard of falling objects.
- Only install on horizontal desks and avoid slanted desk surfaces.
- To ensure safe installation, first check the structure of the desk and select a secure mounting location.
- The desk should be strong enough to sustain a weight of at least four times of the display and the subject product combined. The mounting location must be able to withstand earthquake or other strong shock.
- Do not modify any accessories or use broken parts. Contact your dealer with any questions.
- Tighten all screws (do not exert excessive force to avoid breaking the screw or damaging its thread).
- Since the manufacturer has no way to control the desk type and installation of this product, the warranty of the product shall only cover the body of the product. The warranty period of the product is 3 years.

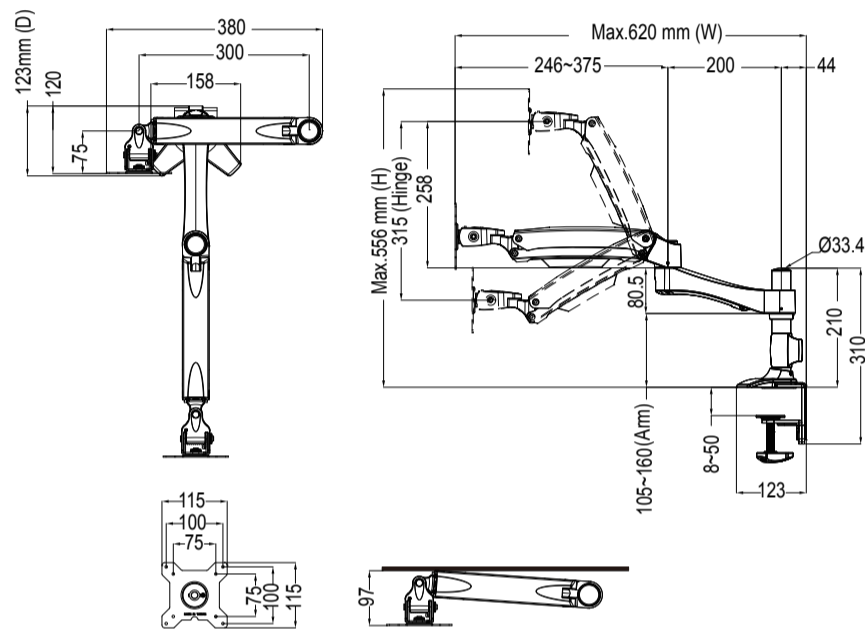


Various displays have different screw hole specifications. Please check that the Screws(M) fits the specifications for the display to be mounted.

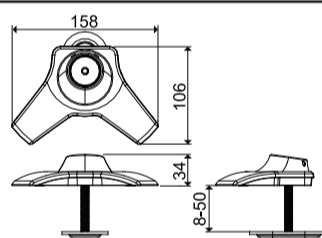
Physical Dimensions(mm)

Single Arm

Enclosed Parts



Optional Grommet Base Physical Dimensions(mm)

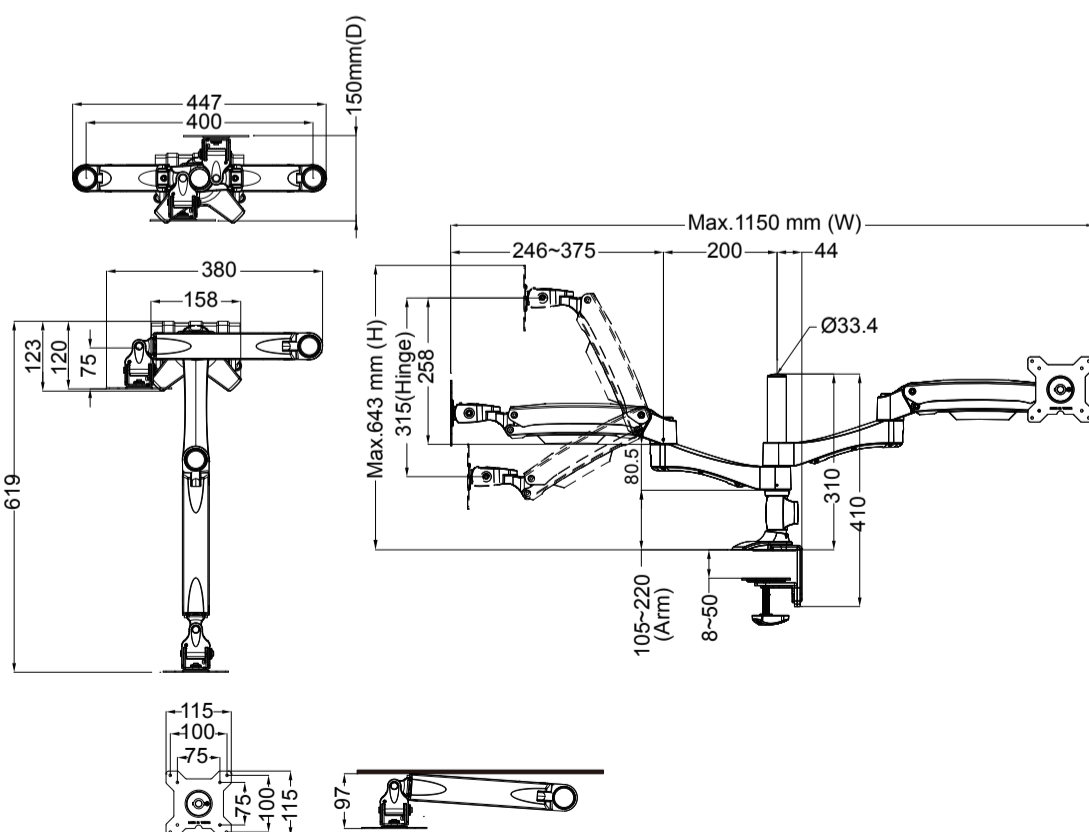


A	 *1pcs	B	 *1pcs	C	 *1pcs	D	 *1pcs
E	 *1pcs	F	 *1pcs	G	 *1pcs	H	 *3pcs
I	Desk Clamp Base  *1pcs	J	 *1pcs	K	 *2pcs	L	 *1pcs
M	 *4pcs						
N-1	Optional Grommet Base  *1pcs	N-2	 *1pcs	N-3	 *1pcs	N-4	 *1pcs

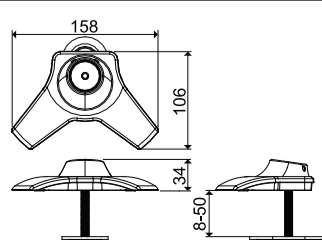
Physical Dimensions(mm)

Dual Arm

Enclosed Parts



Optional Grommet Base Physical Dimensions(mm)



A	 *2pcs	B	 *1pcs	C	 *1pcs	D	 *1pcs
E	 *2pcs	F	 *1pcs	G	 *2pcs	H	 *3pcs
I	Desk Clamp Base  *1pcs	J	 *1pcs	K	 *4pcs	L	 *1pcs
M	 *8pcs						
N-1	Optional Grommet Base  *1pcs	N-2	 *1pcs	N-3	 *1pcs	N-4	 *1pcs

Single Arm

Step 1

1-1: Insert the arm into the base. A warning triangle indicates a height range of $0.3''-2''$ (8-50mm).

1-2: Push the arm down. Minimum clearance: **Min. 8.0mm**.

1-3: Tighten the top cap.

1-4: Tighten the bottom cap.

1-5: Tighten the side cap.

Parts: I, J, K, D (5mm Allen wrench).

Step 2

Optional Base Available (See Below Grommet Base)

Insert the base (B) into the desk. Tighten the base cap (H) with a 2.5mm Allen wrench (L).

Step 3

Step 3-2: Assemble the arm components: E (arm), F (cap), C (bracket), B (rod).

Attach the arm to the base (A) using a 2.5mm Allen wrench (L). Tighten the top cap (H).

Step 4

Notice: Attach the monitor (M) to the arm.

Dual Arm

Step 1

1-1: Insert the arm into the base. A warning triangle indicates a height range of $0.3''-2''$ (8-50mm).

1-2: Push the arm down. Minimum clearance: **Min. 8.0mm**.

1-3: Tighten the top cap.

1-4: Tighten the bottom cap.

1-5: Tighten the side cap.

Parts: I, J, K, D (5mm Allen wrench).

Step 2

Optional Base Available (See Below Grommet Base)

Insert the base (B) into the desk. Tighten the base cap (H) with a 2.5mm Allen wrench (L).

Step 3

Step 3-2: Assemble the arm components: E (arm), F (cap), C (bracket), B (rod).

Attach the arm to the base (A) using a 2.5mm Allen wrench (L). Tighten the top cap (H).

Step 4

Notice: Attach the monitor (M) to the arm.

Optional Grommet Base

Step 1

Insert the base into the desk. Tighten the base cap (N-1) with a 6mm Allen wrench (N-2). A warning triangle indicates a height range of $0.3''-2''$ (8-50mm).

Step 2

Insert the base (B) into the desk. Tighten the base cap (H) with a 2.5mm Allen wrench (L).

Lift – up & down

Adjust the lift mechanism using a 5mm Allen wrench (D). The arm can be tilted up to 65° and down to -30° .

Torque Adjust

WARNING: Lift – up & down (for ARM itself) Torque Adjust. 1. Tension of spring can be adjusted per user's preference. 2. DO NOT OVERTIGHTEN the Fastener. Over tightening the fastener may result in LCD ARM damage.

Arm Swing Adjust Swivel & Rotate (Pivot)

Adjust the arm swing using a 5mm Allen wrench (G). The arm can rotate 360° and swivel $\pm 90^\circ$.

Rotate 360°

Fix

Swivel $\pm 90^\circ$

Cable Management

Use the cable management clips to route cables. Step 1: Attach the clip. Step 2: Tighten the clip.

Tilt – Backward & Forward

Adjust the tilt mechanism using a 2.5mm Allen wrench (L). The arm can be tilted backward to $+90^\circ$ and forward to -20° .

Torque Adjust

Tilt – Backward & Forward Torque Adjust

1. Tension of Tilt can be adjusted so to match the right monitor or display unit weight. 2. DO NOT OVERTIGHTEN the Fastener. Over tightening the fastener may result damage on your equipment.