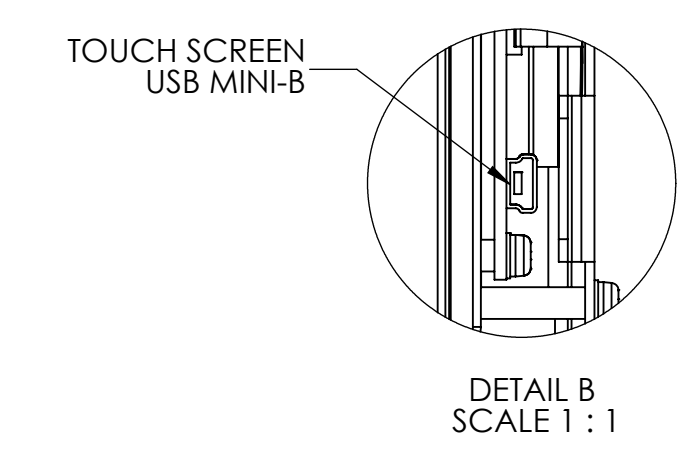
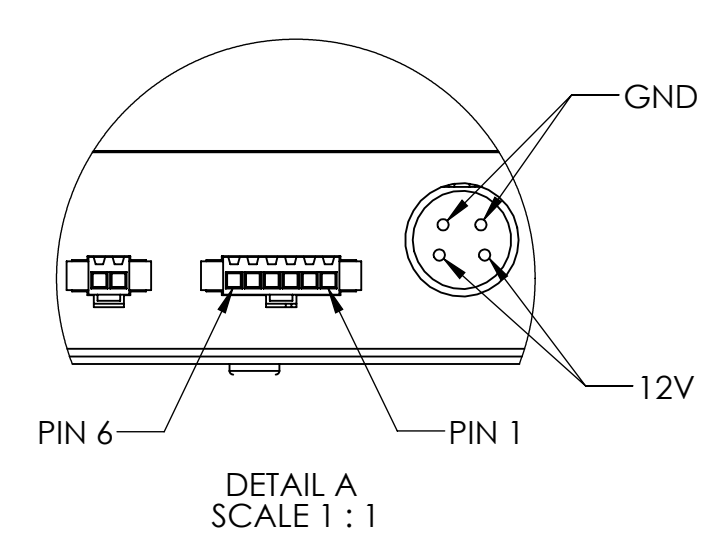
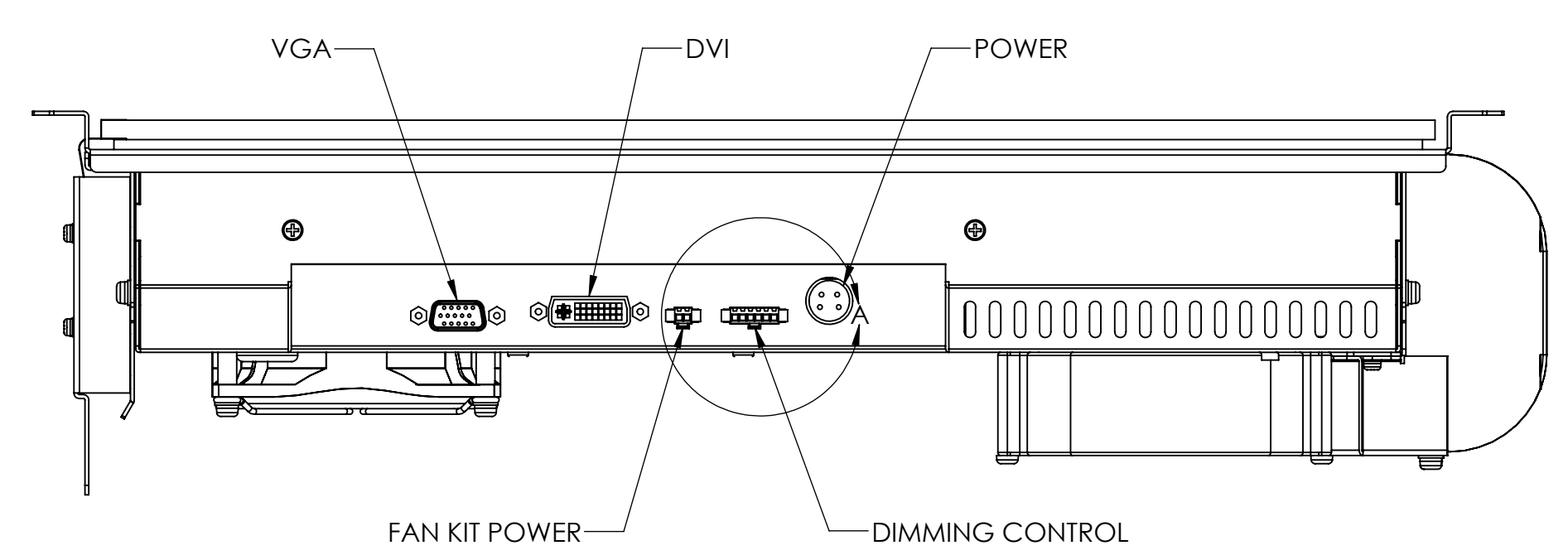
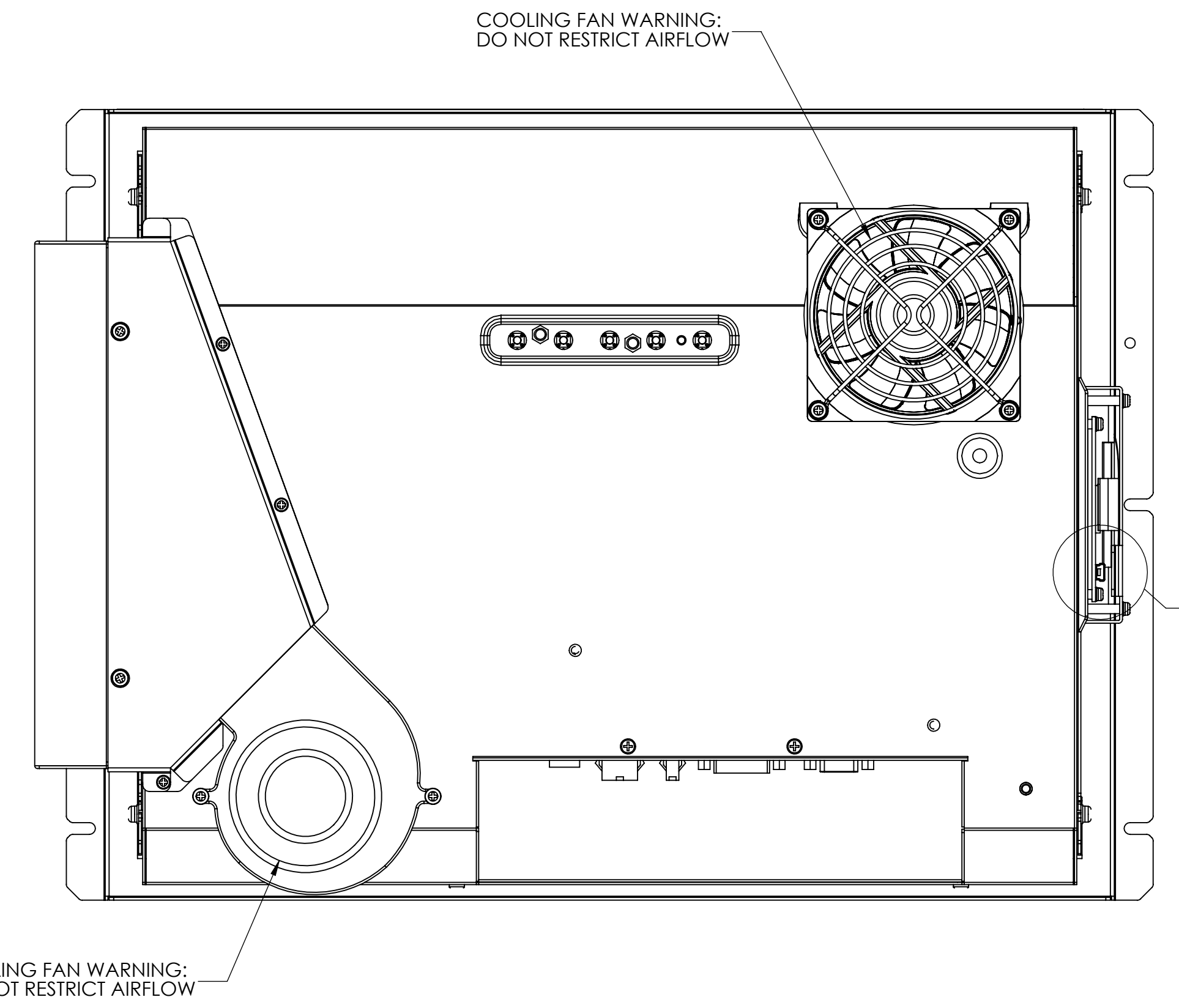
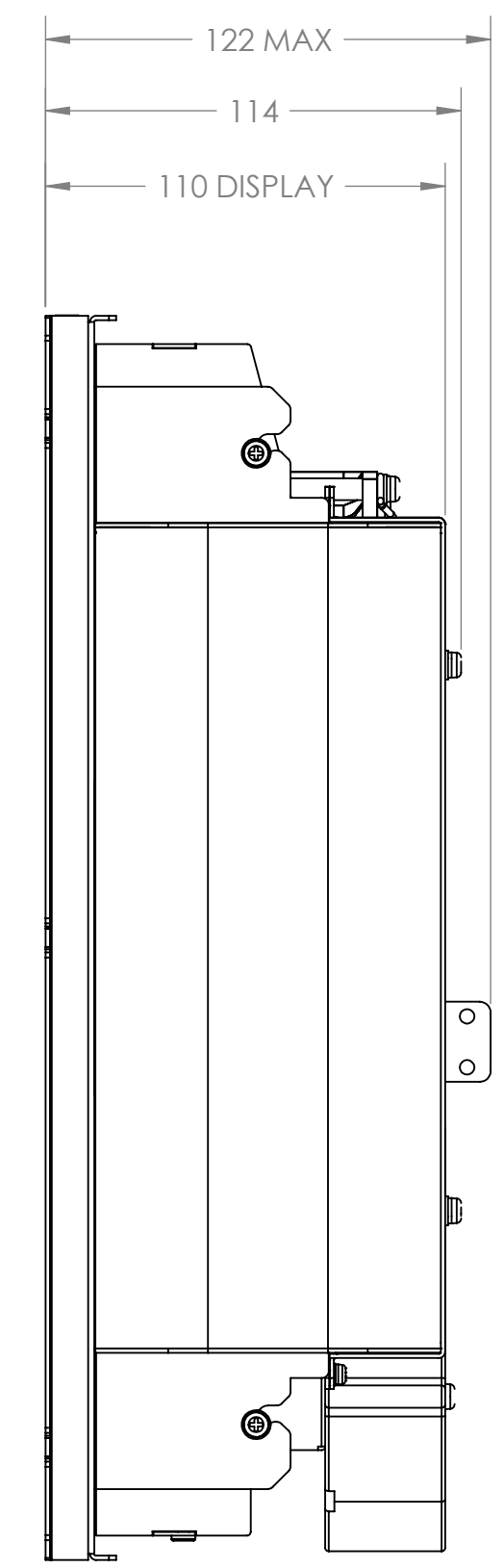
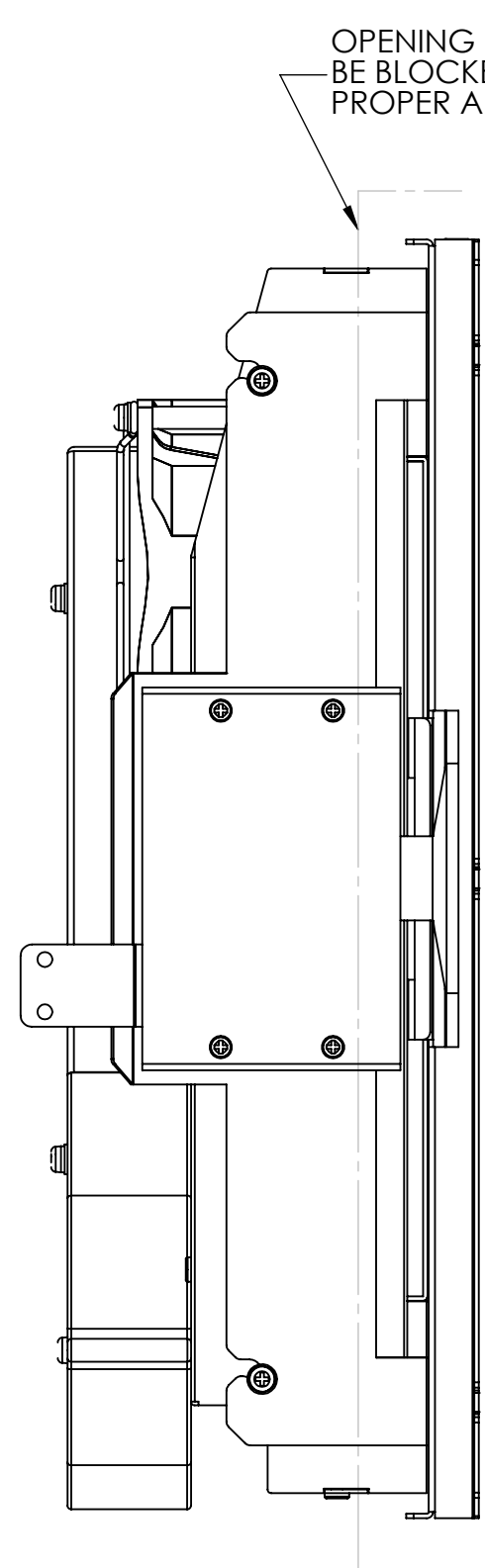
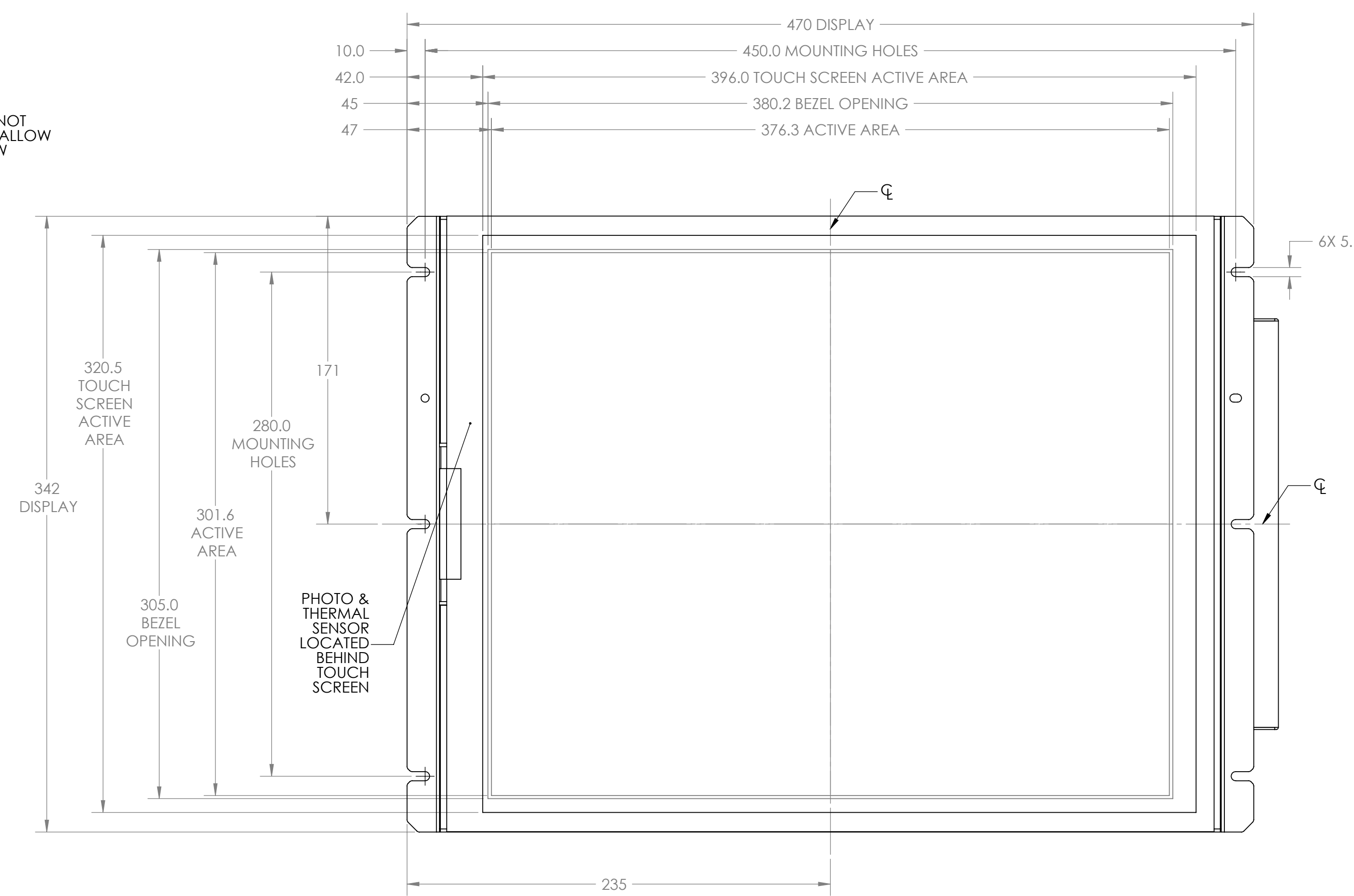
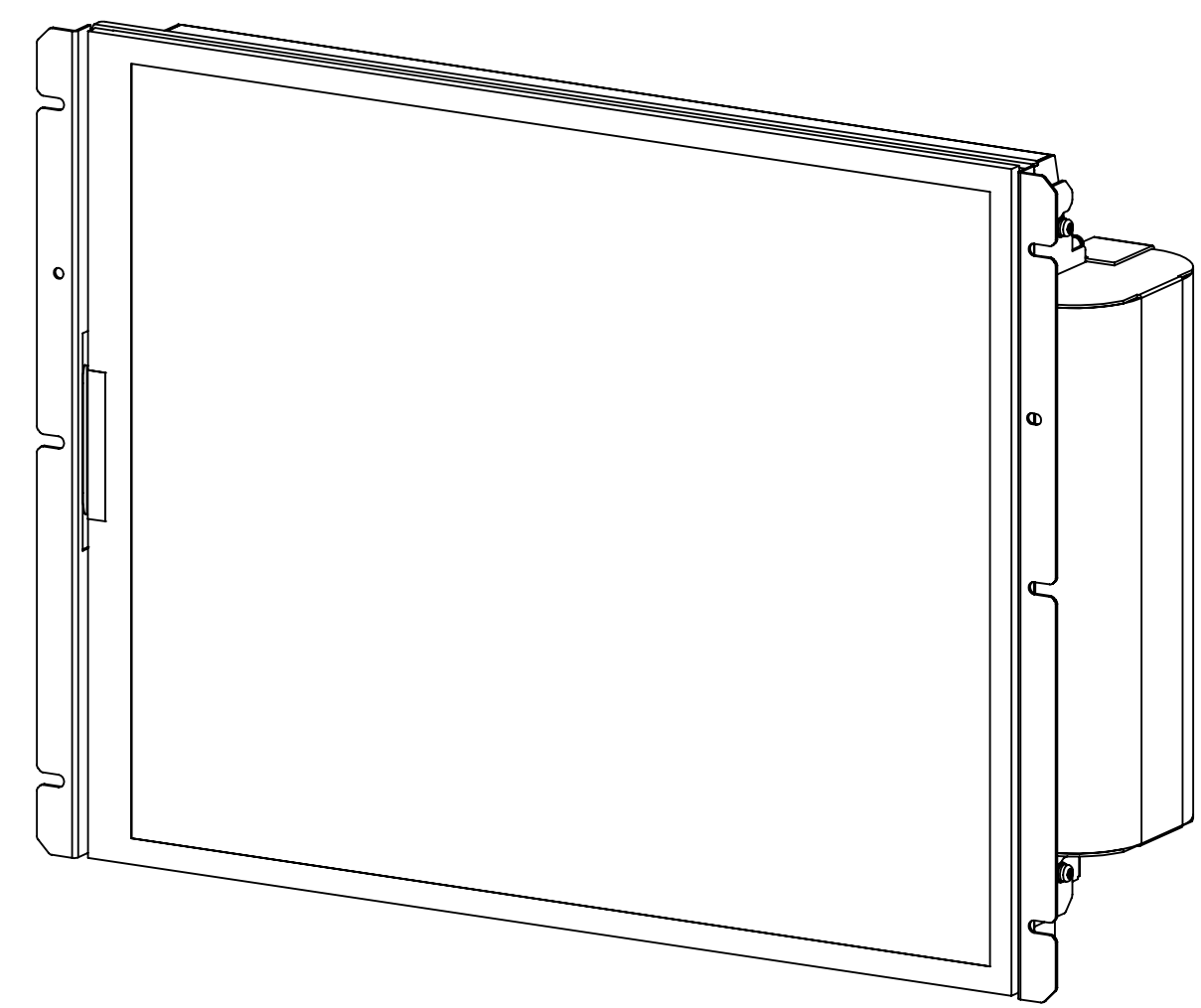


- NOTES:
- SOLID MODEL AVAILABLE UPON REQUEST.
 - THIS PART IS RoHS COMPLIANT.

REVISIONS				
ECO	REV.	DESCRIPTION	DATE	APPROVED
	A	INITIAL RELEASE FOR FOR -03LF VERSION WITH ONLY DVI AND ANALOG INPUTS.	07/21/10	NAB



UNLESS OTHERWISE SPECIFIED DIMENSIONS ARE IN MILLIMETERS		ENGR BY	N. BRASHNYK	09/08/08	 PLANAR SYSTEMS, INC. 1195 NW COMPTON DRIVE BEAVERTON, OR 97006 USA			
TOLERANCES - UNLESS OTHERWISE SPECIFIED		DRAWN BY	R. DAVENPORT	09/08/08				
X= ±1	.XX= ±.25	CHECKED BY			TITLE DWG, SPEC, MECH O/L LC1913RTZ-C			
X= ±.5	ANGLES= ±1°	USED ON	LC1913RTZ-C					
DIMENSIONING AND TOLERANCING PER ASME Y14.5M-1994		MATERIAL			SIZE	PART NUMBER	DRAWING NUMBER	REV
THIRD ANGLE PROJECTION		FINISH	EG PLATED		D	997-5361-03LF	076-0655-01	A
		SCALE	1:2	DO NOT SCALE	SHEET		1 OF 1	

THIS DRAWING CONTAINS INFORMATION PROPRIETARY TO PLANAR SYSTEMS, INC. ANY REPRODUCTION IN PART OR WHOLE WITHOUT THE WRITTEN PERMISSION OF PLANAR SYSTEMS IS PROHIBITED. THIS DRAWING IS SUPPLIED FOR INFORMATION, IDENTIFICATION, ENGINEERING, EVALUATION, AND/OR INSPECTION PURPOSES ONLY AND MAY NOT BE USED AS BASIS FOR THE MANUFACTURING OF PRODUCTS OR THE FURNISHING OF SERVICES TO PLANAR SYSTEMS OR TO ANY THIRD PARTY UNLESS AUTHORIZED IN WRITING BY PLANAR SYSTEMS.